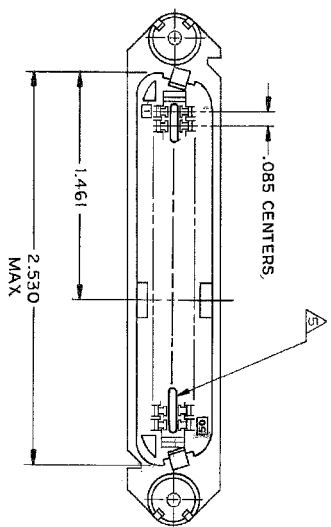
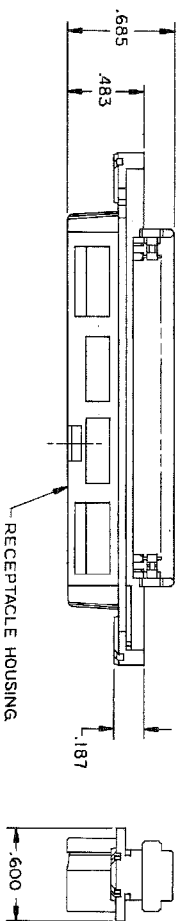
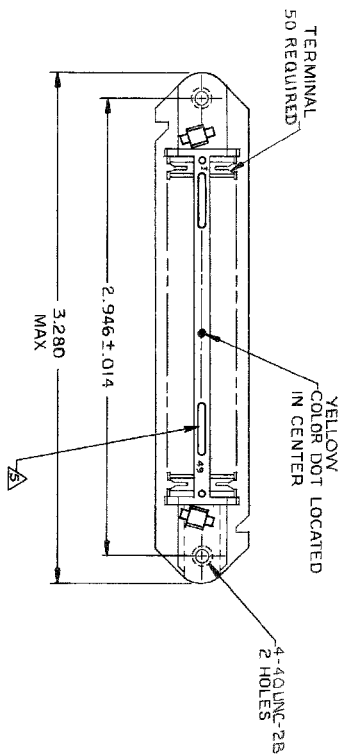


4

3

2

1



1. THE CONTACT SURFACES OF THE TERMINALS ARE COATED WITH LUBRICANT.

2. ALL DIMENSIONS SHOWN ARE FOR REFERENCE ONLY UNLESS OTHERWISE SPECIFIED.

3. MATERIAL:
HOUSING - THERMOPLASTIC
TERMINALS - HIGH STRENGTH COPPER ALLOY PLATED WITH .000030 MIN GOLD,
OR GOLD FLASH OVER .000030 MIN PALLADIUM NICKEL, ON
CONTACT MATING SURFACE. .000050 MIN NICKEL UNDERPLATE
OVER ENTIRE TERMINAL.

4. WIRE SIZE: 28-27-28 AWG 7 STRANDS OF COPPER CONDUCTORS. MAX INSULATION
Ø.045 IS ACCEPTABLE FOR MOST APPLICATIONS.

5. CORING MAY OR MAY NOT APPEAR AND IS AT THE DISCRETION OF TYCO
ELECTRONICS.

REVISIONS			
REV	DATE	DESCRIPTION	BY
GP	00		
R		REVISED FOR ESD-86-008253	9/24/07 ZWR/WLM

THIS DRAWING IS A CONTROLLED DOCUMENT	
DATE	2-12-86
BY	STEPHEN DOSS
APP'D.	V.K. SLACK
PRODUCT SPEC	2-15-86
APPLICATION SPEC	
RECORD	
CUSTOMER DRAWING	

DIMENSIONS	UNITS	CONVERSIONS	REVISIONS
INCHES			
0 IN	0 MM		
1 IN	25.4 MM		
2 IN	50.8 MM		
3 IN	76.2 MM		
4 IN	101.6 MM		
5 IN	127.0 MM		
6 IN	152.4 MM		
7 IN	177.8 MM		
8 IN	203.2 MM		
9 IN	228.6 MM		
10 IN	254.0 MM		
11 IN	279.4 MM		
12 IN	304.8 MM		
13 IN	330.2 MM		
14 IN	355.6 MM		
15 IN	381.0 MM		
16 IN	406.4 MM		
17 IN	431.8 MM		
18 IN	457.2 MM		
19 IN	482.6 MM		
20 IN	508.0 MM		
21 IN	533.4 MM		
22 IN	558.8 MM		
23 IN	584.2 MM		
24 IN	609.6 MM		
25 IN	635.0 MM		
26 IN	660.4 MM		
27 IN	685.8 MM		
28 IN	711.2 MM		
29 IN	736.6 MM		
30 IN	762.0 MM		
31 IN	787.4 MM		
32 IN	812.8 MM		
33 IN	838.2 MM		
34 IN	863.6 MM		
35 IN	889.0 MM		
36 IN	914.4 MM		
37 IN	939.8 MM		
38 IN	965.2 MM		
39 IN	990.6 MM		
40 IN	1016.0 MM		

TYCO ELECTRONICS CORPORATION	1700 ELECTRONICS CORPORATION
HERMSBURG, PA 17033-2088	HERMSBURG, PA 17033-2088
RECEPTACLE ASSY, 50 POSITIONS, E SLOT	RECEPTACLE ASSY, 50 POSITIONS, E SLOT
W/ 4-40 HOLES, CHAMP-LOK	W/ 4-40 HOLES, CHAMP-LOK
SHEET 1 OF 1	DATE 02/07/99
552391	552391